



GET CLEAN SOUND, SLEEK DESIGN, RUGGED CONSTRUCTION

Comprehensive Voice Solutions

Introducing TGT's comprehensive voice over IP intercom & PA systems. A reliable of products that transmit pure digital data via LAN and WAN, solving traditional limitations of standard telephone systems, including distance, interference, vulnerability, and down time. With a wide variety of IP terminals to choose from, TGT's voice over IP has a solution for every organization. With rugged outdoor, explosions proof, and video enabled terminals, TGT's voice has a solution for every scenario. Digital recording, hands-free calling, call waiting, and conference features are just a few of the many advantages that make this easy to use system an ideal all in one solution for all communications within an organization. A wide variety of speakers and horns are available to broadcast crisp sound for maximum clarity.

IP SIP Video Intercom

- Compatible with standard SIP protocol VOIP phone systems.
- Supports SIP video talking without requiring an SIP server
- 4.3 inch LCD screen
- Support for partition broadcasting
- Built-in 3W speaker and microphone
- Full duplex intercom and monitoring



Warranty 2 Years

IP SIP Video Intercom Series

Specifications

Power Supply	DC 12V, ≤15W
Protocols	TCP/IP, UDP, ARP, ICMP, IGMP, SIP 2.0
Network	10/100 Mbps
Video Format	H.264
S/N:	≤Db 20Hz-20kHz
Audio Sampling	8kHz-44.1kHz, 16bit, 8kbps-320kbps
Video Transmit Rate	96Kbps-512Kbps
I/O	1RJ45, 1 alarm in, 1 alarm out, 1 line in, 1 line out
Display Screen	TFT 4.3" LCD (480×272)
Operating Temperature	14° to 158°F / -10° to 70°C
Operating Humidity	≤90%RH
Dimensions	11.8"×9.8"×3" in / 30×26×7.6 cm

Warranty 2 Years

IP Public Address System

- Durable Construction
- Plastic \ Plastic \ Aluminum
- Easy installation

IP Public Address System Series

Warranty 2 Years



IP Intercom System Series

- Durable Construction
- Plastic \ Plastic \ Aluminum
- Easy installation

Warranty 2 Years



IP Intercom System IP PA Systems

IP Intercom System Series

- Durable Construction
- Plastic \ Plastic \ Aluminum



IP Intercom System Stations Series

Warranty 2 Years

Features Include

- Hands Free Calling
- Video Calls
- Conference Mode
- Call Waiting
- Call Transferring
- Electro Magnetic Resistant
- Multi-party Calls
- Unlimited Transmission Range
- Full Duplex



Thai Global Technologies co.,LTD.
www.thaiglobaltech.com

94/316 T.Kukut A. Lam Lukka Phatumthani 12130

T. 095 250 3791

e: info@thaiglobaltech.com



Video Intercom IP Phone



SPECIFICATIONS

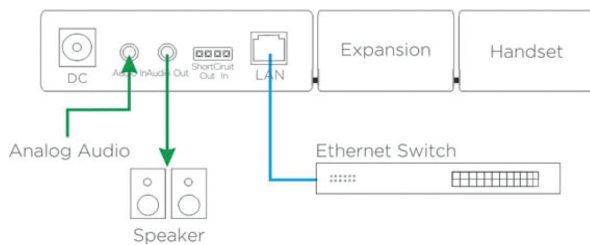
Power Supply	DC 12V, ≤15W
Protocols	TCP/IP, UDP, ARP, ICMP, IGMP, SIP 2.0
Network	10/100 Mbps
Video Format	H.264
S/N:	≤Db 20Hz-20kHz
Audio Sampling	8kHz-44.1kHz, 16bit, 8kbps-320kbps
Video Transmit Rate	96Kbps-512Kbps
I/O	1RJ45, 1 alarm in, 1 alarm out, 1 line in, 1 line out
Display Screen	TFT 4.3" LCD (480×272)
Operating Temperature	14° to 158°F / -10° to 70°C
Operating Humidity	≤90%RH
Dimensions	11.8"×9.8"×3" in / 30×26×7.6 cm
Weight	5lbs / 2.3kg
Part Number	INT-PAS1

*The latest product information / specification can be found at www.aventurapa.com

KEY FEATURES

- + Compatible with standard SIP protocol VOIP phone systems
- + Supports SIP video talking without requiring a SIP server
- + 4.3 inch LCD screen
- + Support for partition broadcasting
- + Built-in 3W speaker and microphone
- + Full duplex intercom and monitoring
- + Voice prompt for incoming calls
- + Audio & video cyclic monitoring
- + Built-in digital audio processor
- + effective noise reduction and audio quality
- + 1 short-circuit input or output for the external linkage
- + Supports SIP server using DNS
- + RJ45 interface

DIAGRAMS



OTHER TGT's PRODUCTS

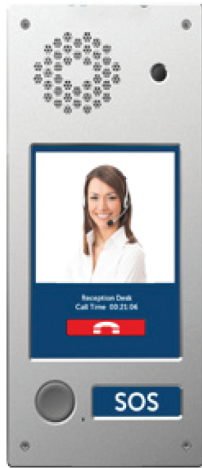


Thai Global Technologies co.,LTD.
 49/316 M.6 T. Kukud
 A.Lamlukka
 Phatumthani 12130

Tel: 096 820 1695
 email: info@thaiglobaltech.com
www.thaiglobaltech.com
www.facebook.com/thaiglobaltechnologies



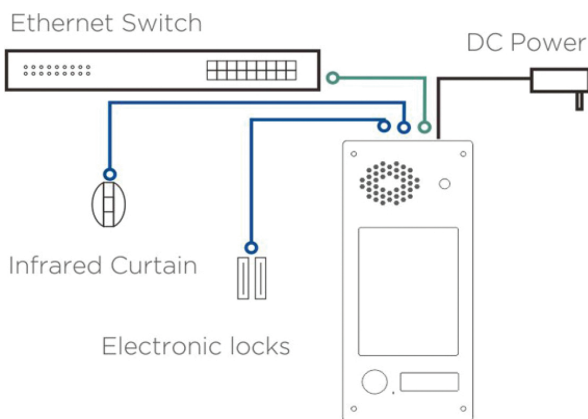
Video Intercom IP Phone



KEY FEATURES

- + Compatible with standard SIP protocol VOIP phone systems
- + High-end aluminum cover
- + One touch calling and full duplex intercom
- + Built-in 3W speaker and microphone for hands free calling
- + 7 inch touch glare resistant touch screen
- + Built in HD camera with H.264 format
- + IP55 waterproof protection
- + Output for door locks and alarm lights
- + RJ45 interface

DIAGRAMS



SPECIFICATIONS

Power Supply	DC 24V, ≤9W
Protocols	TCP, UDP, ARP, ICMP, SIP 2.0
Network	10/100 Mbps
Video Format	H.264
Frequency Response	20Hz-16KHz
Audio Sampling	8kHz-44.1kHz, 16bit, 8kbps-320kbps
Video Transmit Rate	96Kbps-512Kbps
I/O	1RJ45, 1 alarm in, 1 alarm out
Protection	IP55
Operating Temperature	14° to 158°F / -10° to 70°C
Operating Humidity	≤90%RH
Dimensions	10"×4.5"×2" in / 25.5×11.5×5 cm
Weight	3.5 lbs / 1.6kg
Part Number	INT-VID1

*The latest product information / specification can be found at www.aventurapa.com

OTHER TGT's PRODUCTS



Thai Global Technologies
 49/316 M.6 T. Kukud
 A.Lamlukka
 Phatumthani 12130

Tel: 096 820 1695
 email: info@thaiglobaltech.com
www.thaiglobaltech.com
www.facebook.com/thaiglobaltechnologies



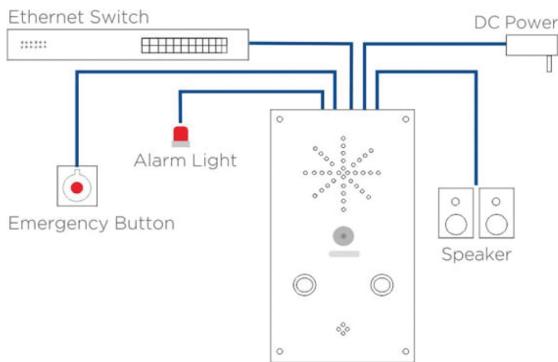
Dual Button Emergency IP Phone



KEY FEATURES

- + Compatible with standard SIP protocol VOIP phone systems
- + 6mm thick aluminum panel provides protection
- + Waterproof IP54 grade protection
- + HD camera with H.264, D1/CIF format
- + Built-in 3W speaker and microphone for hands-free calling
- + Built-in flash memory for extra storage
- + Digital audio processor for optimal clarity and noise reduction
- + Audio output interface
- + RJ45 interface

DIAGRAMS



SPECIFICATIONS

Power Supply	DC 24V, ≤5W
Protocols	TCP/IP, UDP, ARP, ICMP, IGMP, SIP 2.0
Network	10/100 Mbps
Audio Format	Alaw, Ulaw, G722, Speex
Video Format	H.264
S/N	≤90db
Frequency Response	20Hz-16kHz
Audio Sampling	8kHz-22.05kHz, 16bit
Transmit Rate	16Kbps-352Kbps
I/O	1RJ45, 1 alarm in, 1 alarm out, 12V out, 1 line out, 1 amplify out
Protection	IP65
Operating Temperature	-4° to 158°F / -20° to 70°C
Operating Humidity	≤90
Dimensions	8.28×4.58×1.88 in / 20.8×11.5×4.6 cm
Weight	2.87 lbs / 1.3kg
Part Number	INT-EDB1

*The latest product information / specification can be found at www.aventurapa.com

OTHER TGT's PRODUCTS



Thai Global Technologies
 49/316 M.6 T. Kukud
 A.Lamlukka
 Phatumthani 12130

Tel: 096 820 1695
 email: info@thaiglobaltech.com
www.thaiglobaltech.com
www.facebook.com/thaiglobaltechnologies



Rugged Emergency IP Phone



KEY FEATURES

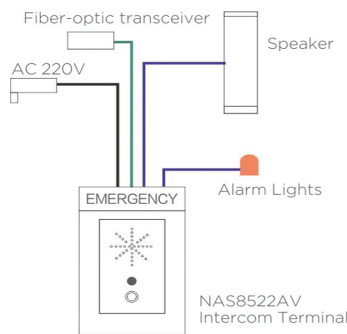
- + Compatible with standard SIP protocol VOIP phone systems
- + Explosion-resistant and waterproof IP65 protection
- + One touch call function and full duplex intercom
- + Built in 10W speaker and microphone for hands-free calling
- + 60W digital amplifier module
- + Built in 10W speaker and microphone for hands-free calling
- + Built-in HD digital camera with H.264 format
- + DC12V/500mA output connection
- + RJ45 interface

SPECIFICATIONS

Power Supply	DC 24V, ≤30W
Protocols	TCP/IP, UDP, ARP, ICMP, IGMP
Network	1 RJ45, 1 alarm in, 1 alarm out, 1 12V out, 1 Line-out, 1 amplify out
Audio Format	Alaw, Ulaw, G722, Speex, MP2, MP3, PCM, ADPCM
Video Format	H.264
S/N	≤90Db
Frequency Response	20Hz-16kHz
Audio Sampling	8kHz-16kHz
Transmit Rate	16Kbps-352Kbps
Camera	Built-in HD digital camera (CMOS)
View Angle	105°
Infrared	Yes
I/O	1RJ45, 1 alarm in, 1 alarm out, 12V out, 1 line out, 1 amplify out
Protection	IP65
Operating Temperature	-4° to 158°F / -20° to 70°C
Operating Humidity	≤90
Dimensions	11.8"×15.5"×5.5" in / 30×40×14 cm
Weight	11.24 lbs / 5.1kg
Part Number	INT-ERP1

* The latest product information / specification can be found at www.aventurapa.com

DIAGRAMS



OTHER TGT's PRODUCTS



Thai Global Technologies
49/316 M.6 T. Kukud
A.Lamlukka
Phatumthani 12130

Tel: 096 820 1695

email: info@thaiglobaltech.com

www.thaiglobaltech.com

www.facebook.com/thaiglobaltechnologies